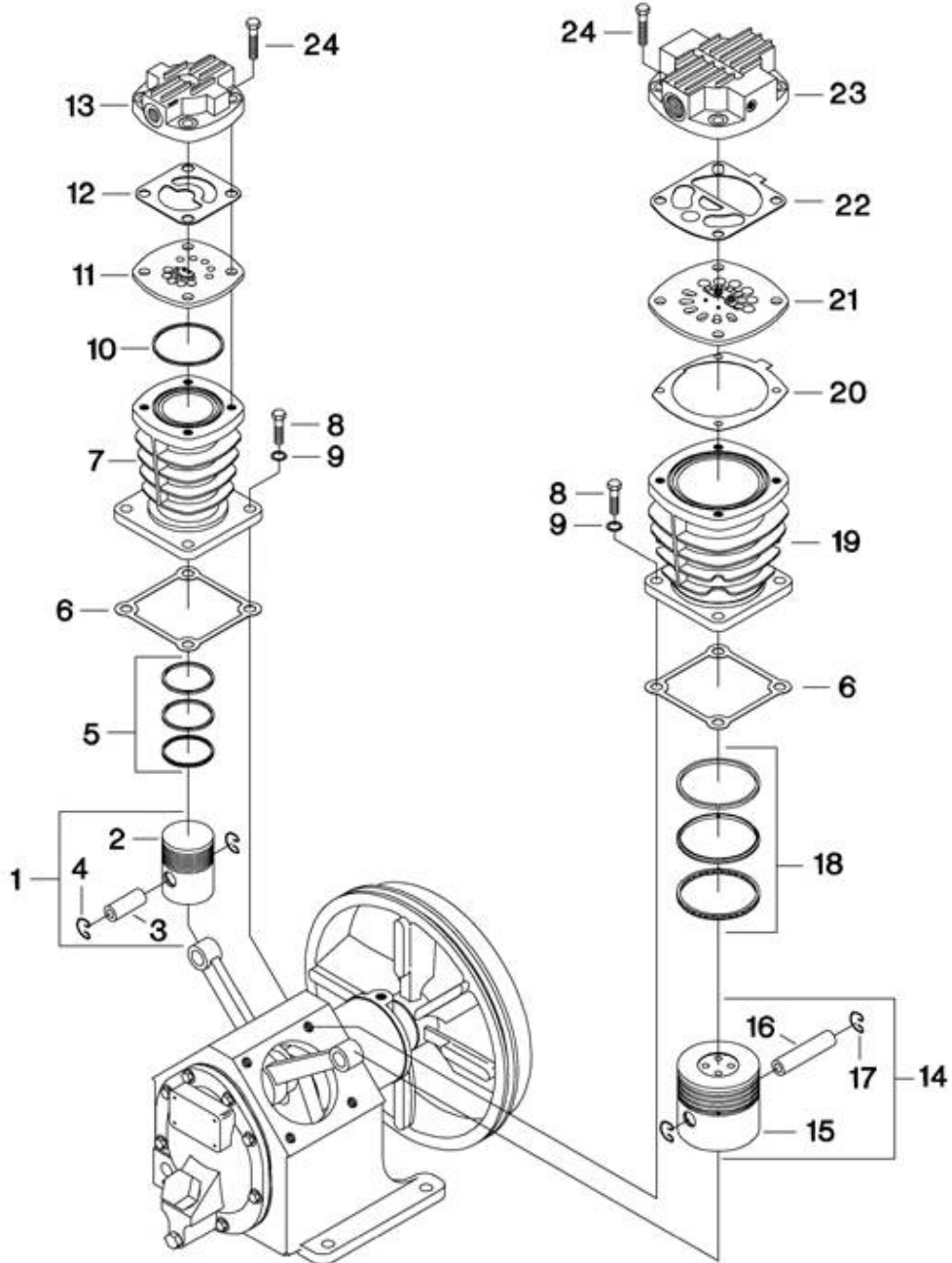


4. Bare Compressor - Model 2475



All manufacturer's names, numbers, photos, product description and/or part numbers are used for reference purposes only & it is not implied that any part listed is the product of these manufacturers. Since Approvement are made from time to time, the illustration and specifications are subject to change without notice.

4. Bare Compressor - Model 2475

REF. NO.	PART NO.	DESCRIPTION	QTY.	SPARES		
				1	2	3
4-1	32496598	PISTON, AIR - COMPLETE - 2.5" HIGH PRESSURE	1		1	1
4-2	NSS	● PISTON - AIR - 2.5"	1			
4-3	30287783	● PIN, PISTON	1			
4-4	30298020	● RING, LOCK	2			
4-5	32307910	SET, PISTON RING - 2.5"	1	1	1	2
4-6	32247868	GASKET, CYLINDER/FLANGE	2	2	2	4
4-7	32247652	CYLINDER - 2.5" - HIGH PRESSURE	1			
4-8	95053567	CAPSCREW, HEX - 1/2-13 X 1-1/4"	8			
4-9	95674701	GASKET, COPPER - 1/2"	8			
4-10	32246878	O-RING, VALVE PLATE - HIGH PRESSURE	1	1	1	2
4-11	32310799	ASSEMBLY, VALVE PLATE - HIGH PRESSURE (SEE FIGURE 2)	1		1	1
4-12	32247926	GASKET, AIRHEAD - HIGH PRESSURE	1	1	1	2
4-13	32247827	AIRHEAD - HIGH PRESSURE	1			
4-14	32496564	PISTON, AIR - COMPLETE - 4" - LOW PRESSURE	1		1	1
4-15	NSS	● PISTON, AIR - 4"	1			
4-16	30288393	● PIN, PISTON	1			
4-17	30298020	● RING, LOCK	2			
4-18	32307928	SET, PISTON RING - 4"	1	1	1	2
4-19	32293540	CYLINDER, - 4" LOW PRESSURE	1			
4-20	32248197	GASKET, VALVE PLATE - LOW PRESSURE	1	1	1	2
4-21	32248205	ASSEMBLY, VALVE PLATE - LOW PRESSURE (SEE FIGURE 3)	1		1	1
4-22	32248189	GASKET, AIRHEAD - LOW PRESSURE	1	1	1	2
4-23	32293557	AIRHEAD - LOW PRESSURE	1			
4-24	95104188	CAPSCREW, HEX - 1/2-13 X 1-3/4"	8			

All manufacturer's names, numbers, photos, product description and/or part numbers are used for reference purposes only & it is not implied that any part listed is the product of these manufacturers. Since Approvement are made from time to time, the illustration and specifications are subject to change without notice.